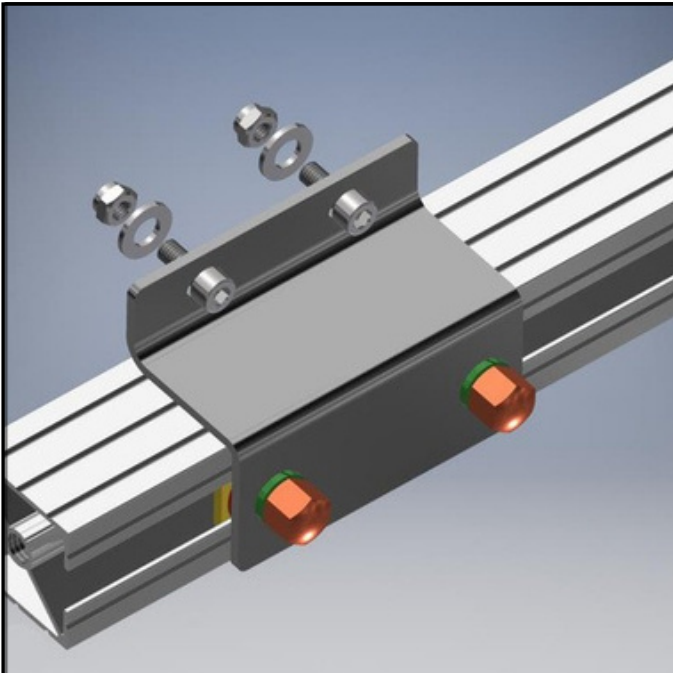











Mounting the awning brackets

The awning bracket is mounted in the inner groove of the side profile.



The awning support consists of the following elements:

Base body Rectangular recessed	1x	
plate Round head bolt square	1x	
collar Body washer 8.4x24x2	2x	
Spring washer 8mm M8 cap nut	2x	
M6x16 Allen head screw M6	2x	
washer M6 nylon stop nut	2x	
	2x	
	2x	
	2x	

Please note that only the rectangular plate (with screws) must be inserted into the profile. The washer of of is mounted between the profile and the support.

